

Title: DISTRIBUTED CURRENT SOURCES FOR FOLDING ADC
AMPLIFIER STAGES

First Inventor : Christopher A. Menkus

Attorney Docket No.: 08211/0200350-US0/P05787

1/6

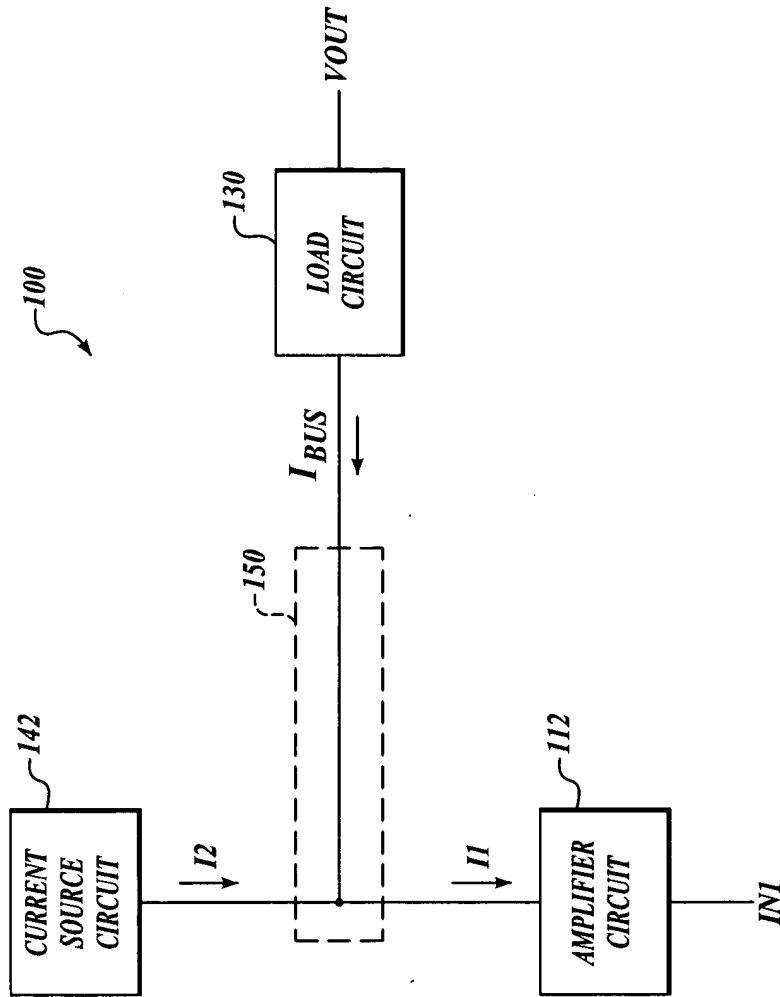


Fig. 1

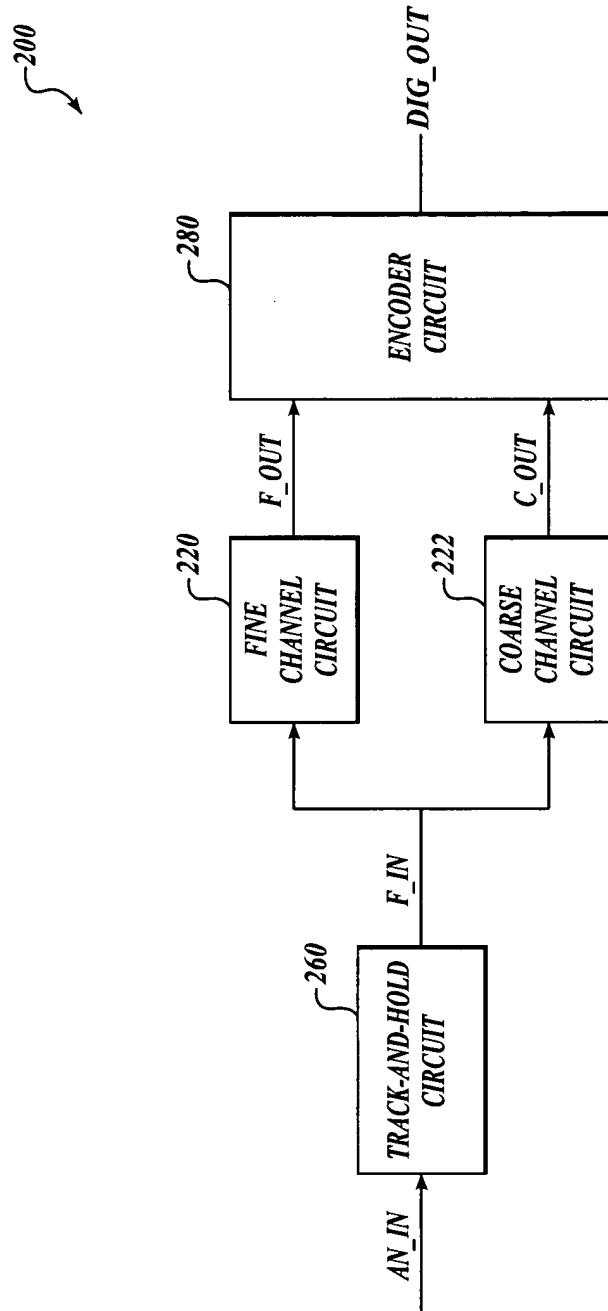


Fig. 2

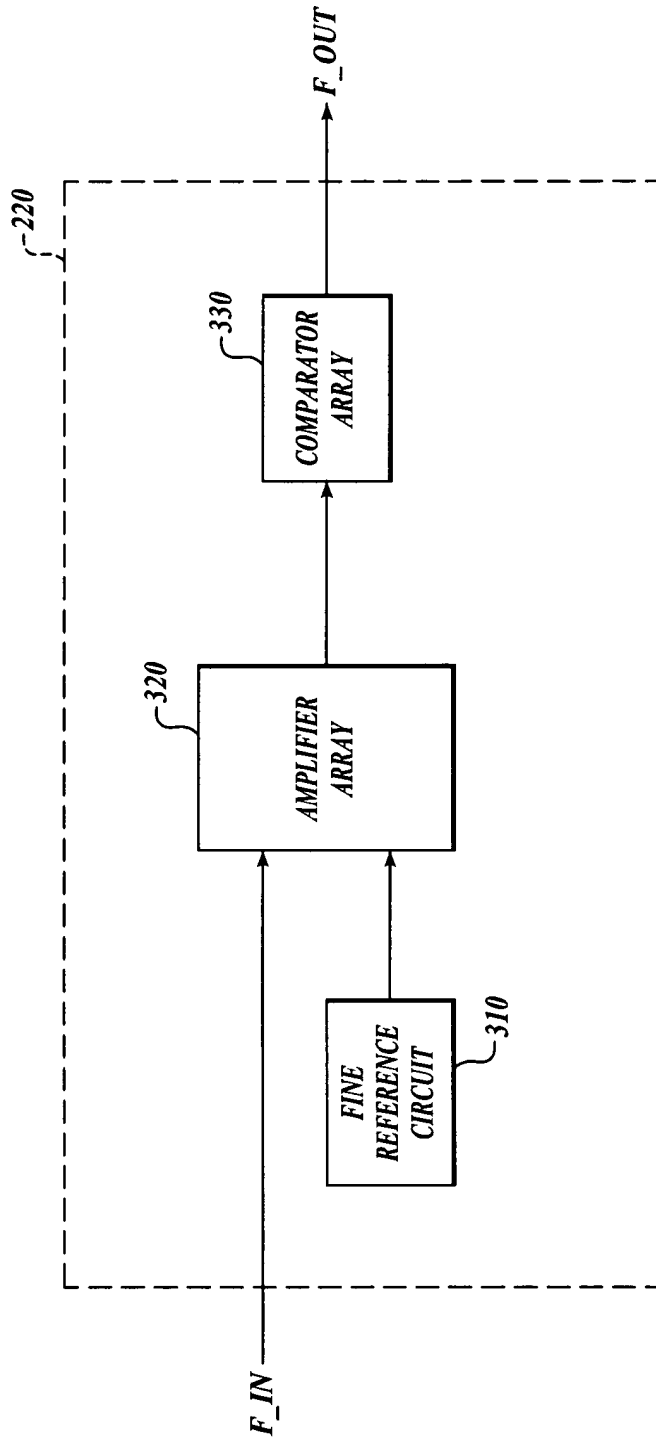


Fig. 3

Title: DISTRIBUTED CURRENT SOURCES FOR FOLDING ADC
AMPLIFIER STAGES

First Inventor : Christopher A. Menkus

Attorney Docket No.: 08211/0200350-US0/P05787

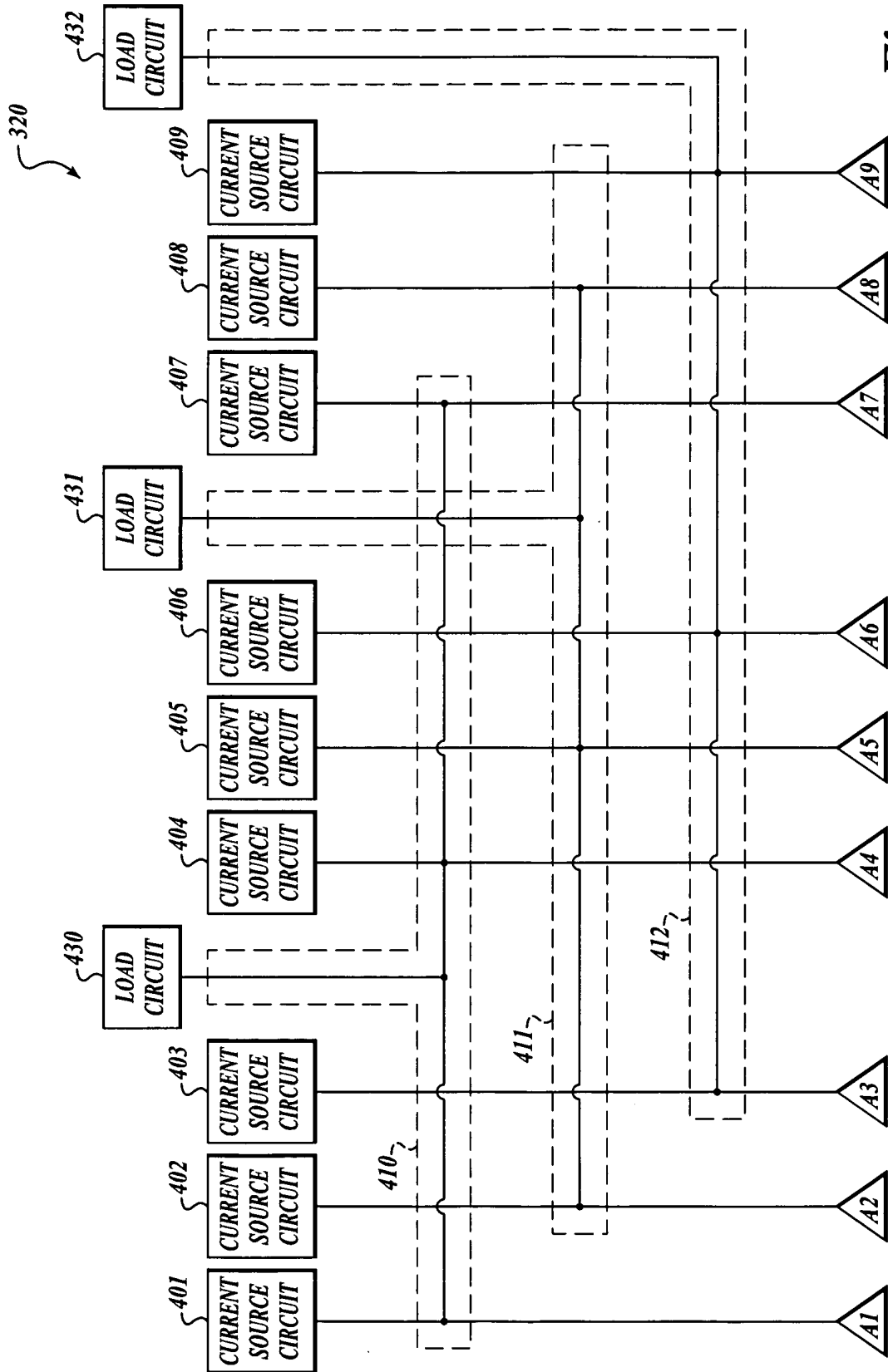


Fig. 4

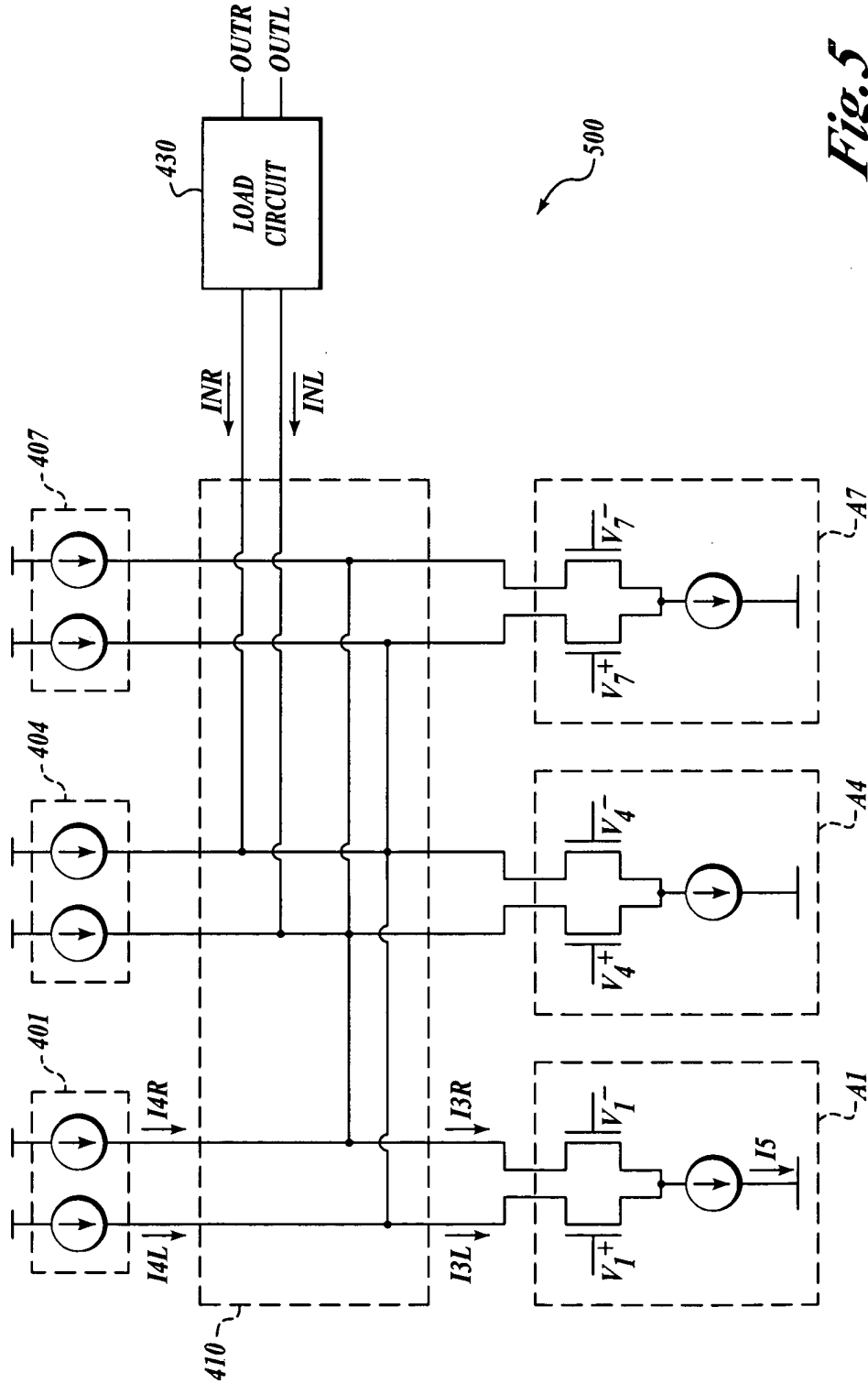


Fig. 5

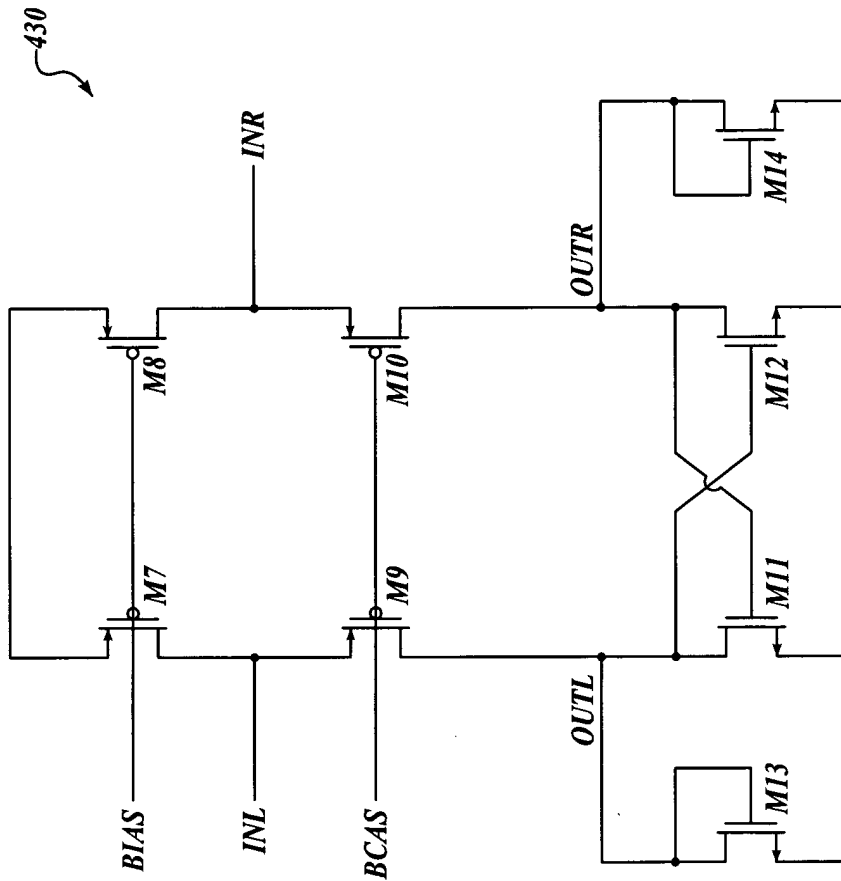


Fig. 6